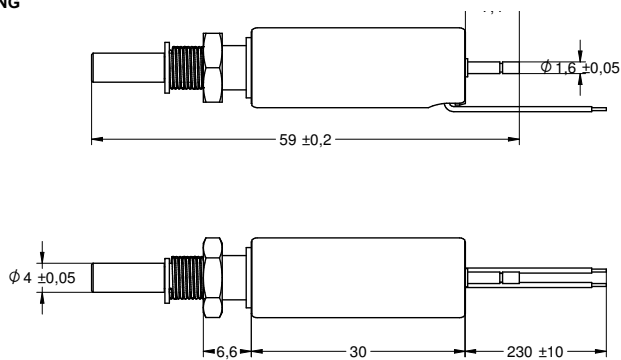


# T1130S (push type)

## DRAWING (mm)



## PHOTO



## MODEL NO. DESIGNATION

T1130S - VOLTAGE  
Example: T1130S-06V

## SOLENOID DATA

Duty cycle / ED (%) ▶	Continuous (100%)	Intermittent (50%)	Intermittent (25%)	Intermittent (10%)
Watts @ 20°C ▶	4	8	16	40
Maximum time in energized state (in seconds) ▶	∞	50	5	2
Part ▼	Resistance (20°C) ± 10% (Ω) ▼	DC Volts (V) ▼		
T1130S-06V	9	6	8.5	12
T1130S-12V	36	12	17	24
T1130S-24V	144	24	34	48

## SOLENOID FEATURES AND STANDARD DATA

	STANDARD	CUSTOMIZATION OPTIONS
Type	Push type DC solenoid	Push type DC solenoid
Cable	Flying wire 230mm	Length, type and connector
Voltage	6 to 24 VDC @ 100% ED	Other voltages upon request
Life time	At least 500.000 single strokes	
Plunger material	Carbon steel 12L14	
Protection class	IP50	
Insulation grade	B	
Operating temperature	-5°C ... +40°C	
Manufacturing quality standards	ISO9001:2008, ISO/TS 16949:2002	
RoHS compliance	Yes	
CE approval	No	
UL approval	No	

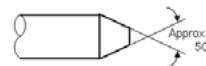
## ADDITIONAL DATA

Return spring	Yes
Weight	17g

## SPRING DATA

Loading force @ 5mm compression	58 ± 10% g
---------------------------------	------------

## PLUNGER PROFILE



## DIAGRAM

